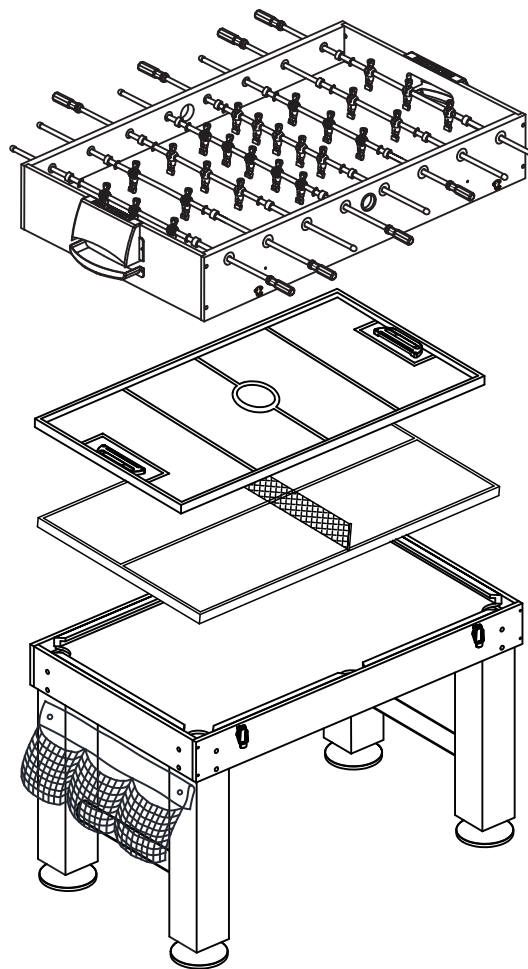




KICK Quad 48"

(Brown/Black)

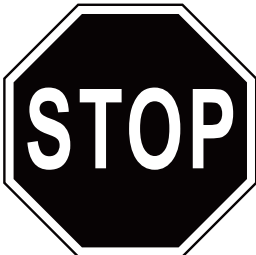
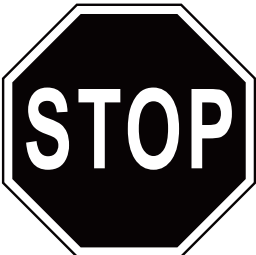
4 IN 1 MULTI-GAME FOOBALL TABLE
ASSEMBLY INSTRUCTIONS



FY440

Assembly Instructions

WARNING: TWO ADULTS ARE NEEDED TO ASSEMBLE THE SOCCER TABLE



Official Website of KICK Foosball Tables



IF YOUR TABLE HAS DAMAGES, MISSING PARTS, OR YOU ARE NOT **100%** SATISFIED PLEASE CONTACT **KICK, NOT THE RESELLER.**

← SCAN THIS QR CODE TO CONTACT US IF YOU FACE ANY ISSUES.

FOR THE LATEST INSTRUCTION MANUALS, VIDEOS, TABLE ASSEMBLY INFO, DIFFERENT GOALIE SETUPS, PLAYER TYPES, AND OTHER HELPFUL TIPS - PLEASE VISIT THE LINK BELOW OR SCAN THIS QR CODE →

www.KICKFoosballTables.com/Instructions/



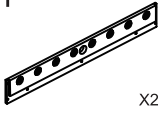
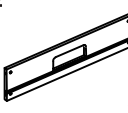
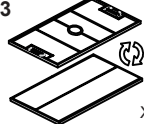
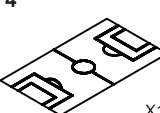
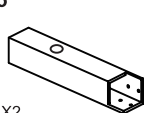
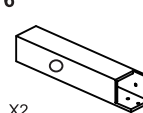
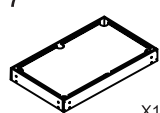
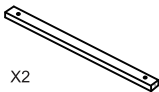


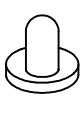

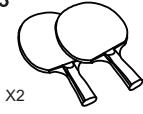

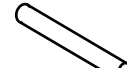

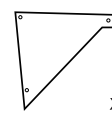
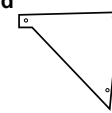
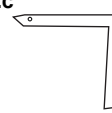
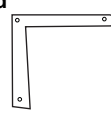
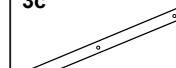
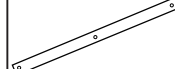
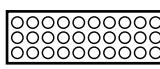
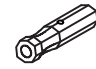









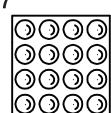




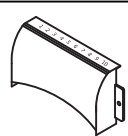
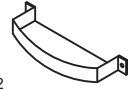



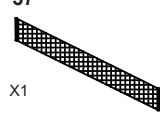
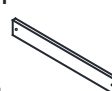

CONTACT INFORMATION:

Email: Support@KICKFoosballTables.com
Website: www.KICKFoosballTables.com
Phone: 1 (866) 844-KICK (5425) or (210) 664-8934

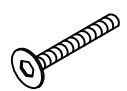









MAILING ADDRESS:

KICK Sports
PO Box 790311
San Antonio, Texas 78279

PARTS LIST

1  SIDE PANEL X2	2  END PANEL X2	3  TABLE TENNIS HOCKEY X1	4  PLAYFIELD X1	5  RIGHT LEG X2	6  LEFT LEG X2	7  BILLIARD TABLE X1
8  SUPPORT BRACE X2	9  (Pre-installed) HOCKEY GOAL X2	10  PUCK X2	11  STRIKER X2	12  TABLE TENNIS BALL X2	13  TABLE TENNIS PADDLE X2	14  LEG LEVELER X4
15  LEG CROSS ROD X2	16  STOP RING X4	1c  TRIANGLE a X2	1d  TRIANGLE b X2	2c  L STYLE PLASTIC a X2	2d  L STYLE PLASTIC b X2	3c  LONG PLASTIC a X2
3d  LONG PLASTIC b X2	P13a  SCREW HOLE CAP (to cover the hole of the screws S1) 1 SET	18  ROD HANDLE X8	19  ROD END CAP X8	20  ROD BUMPER X16	21  ROD WASHER X16	22a  PLAYER X13
22b  PLAYER X13	23  3 PLAYER ROD X4	24  2 PLAYER ROD X2	25  5 PLAYER ROD X2	26  SOCCER BALL X2	27  BILLIARD BALLS SET X1	28  TRIANGLE X1
29  CUC STICK X2	30  BRUSH X1	31  CHALKS X2	32  GOAL BOX TOP X2	33  GOAL BOX BOTTOM X2	34  LOCKER X4	35  LOCKER X4
36  TABLE TENNIS POSTS X2	37  TABLE TENNIS NET X1	H1  ACCESSORY PANEL X1	H3  ACCESSORY HOLDER X1			

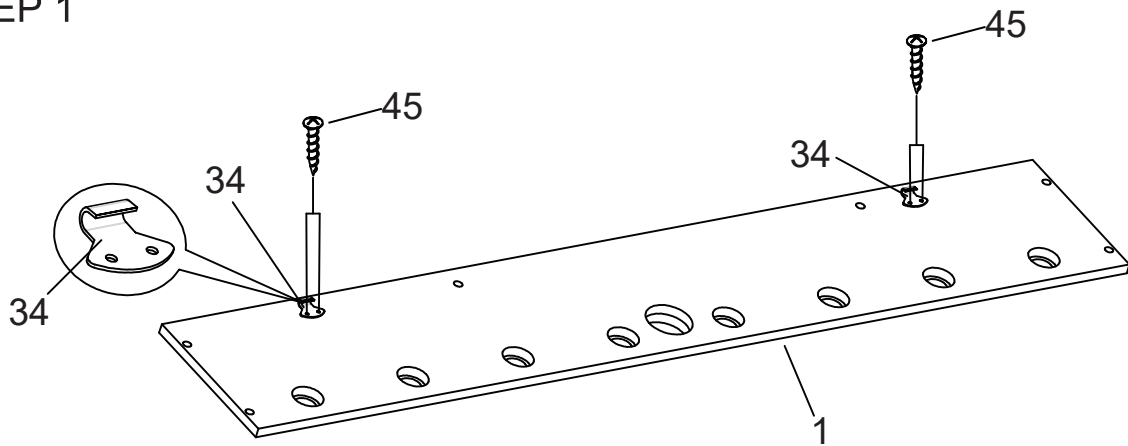
HARDWARE

39  5/16" x 1" BOLT X16	40  5/16" WASHER X16	41  1/8" x 3/4" BOLT X26	42  1/8" NUT X26	43  1/8" x 1-3/4" SCREWS X12	44  1/8" x 5/8" SCREWS X8	45  1/8" x 1/2" SCREWS X24
46  ALLEN WRENCH X1	S2  3/8" FLAT HEAD SCREWS X36	H5  1/8" x 1" SCREWS X2				

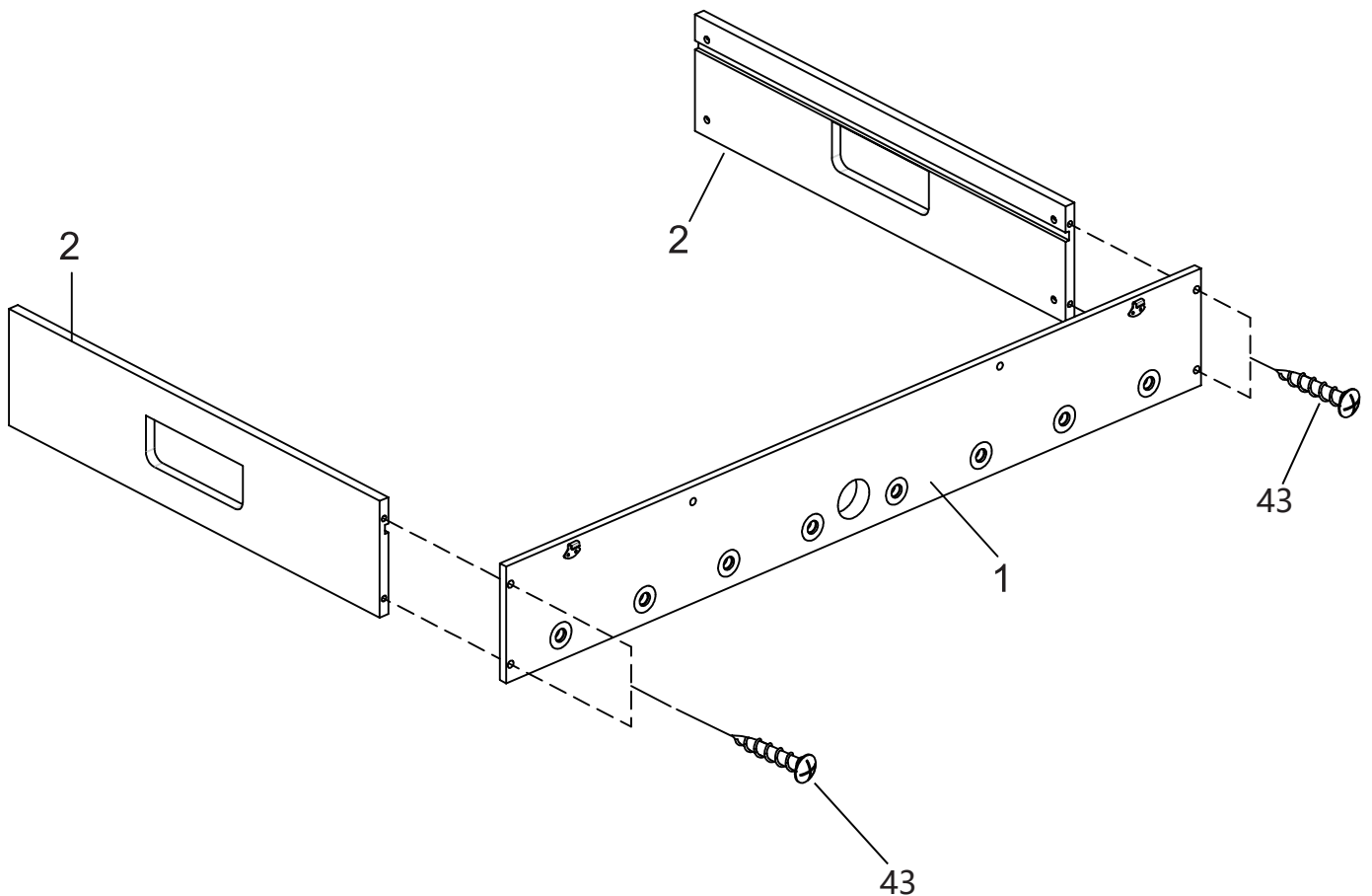
Assembly Instructions

WARNING: TWO ADULTS ARE NEEDED TO ASSEMBLE THE SOCCER TABLE

STEP 1



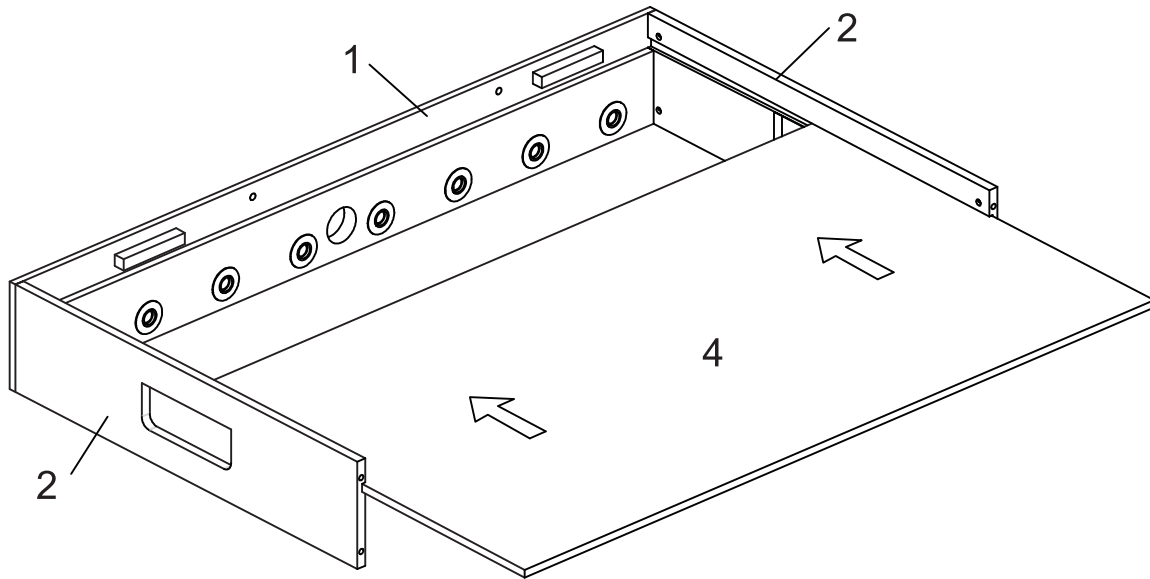
STEP 2



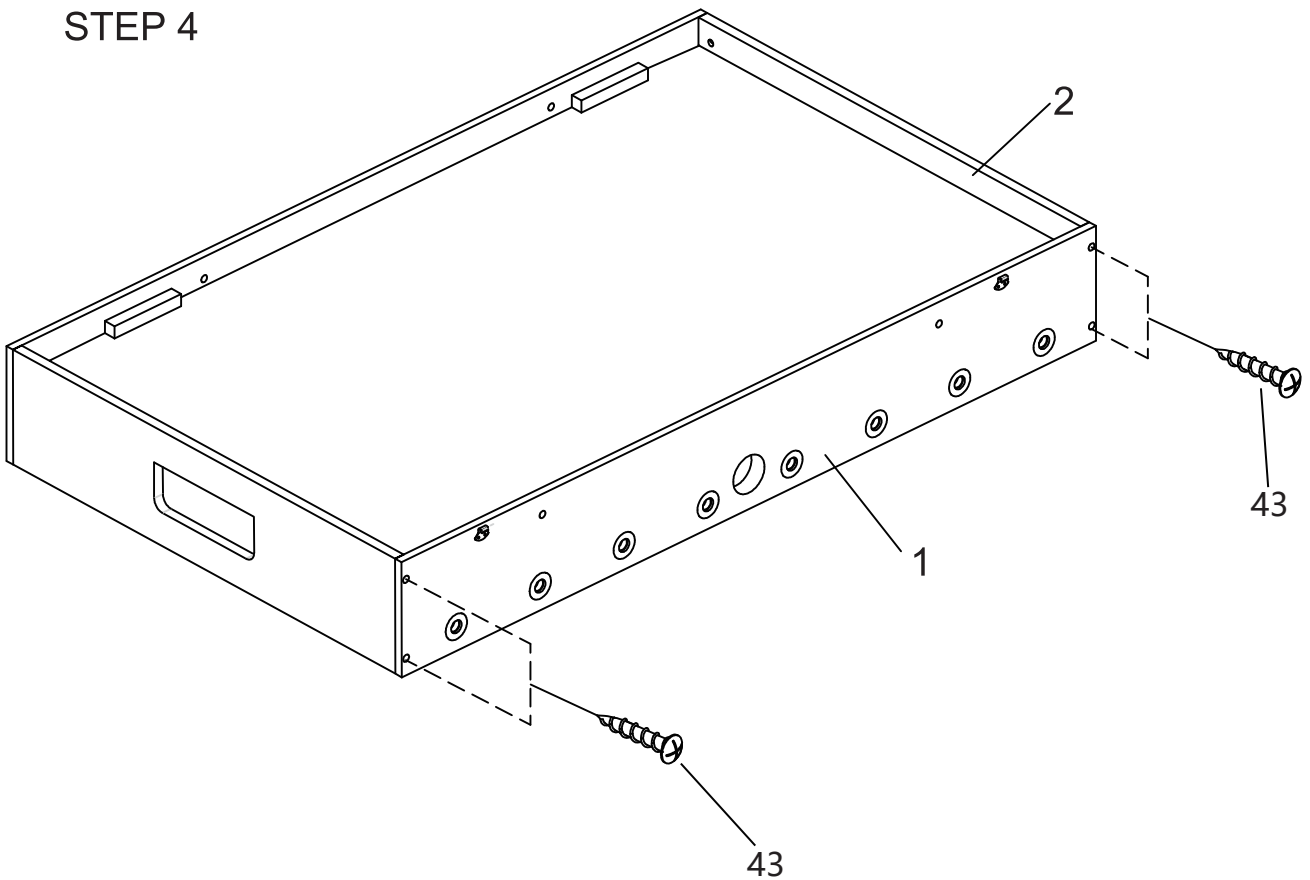
Assembly Instructions

WARNING: TWO ADULTS ARE NEEDED TO ASSEMBLE THE SOCCER TABLE

STEP 3



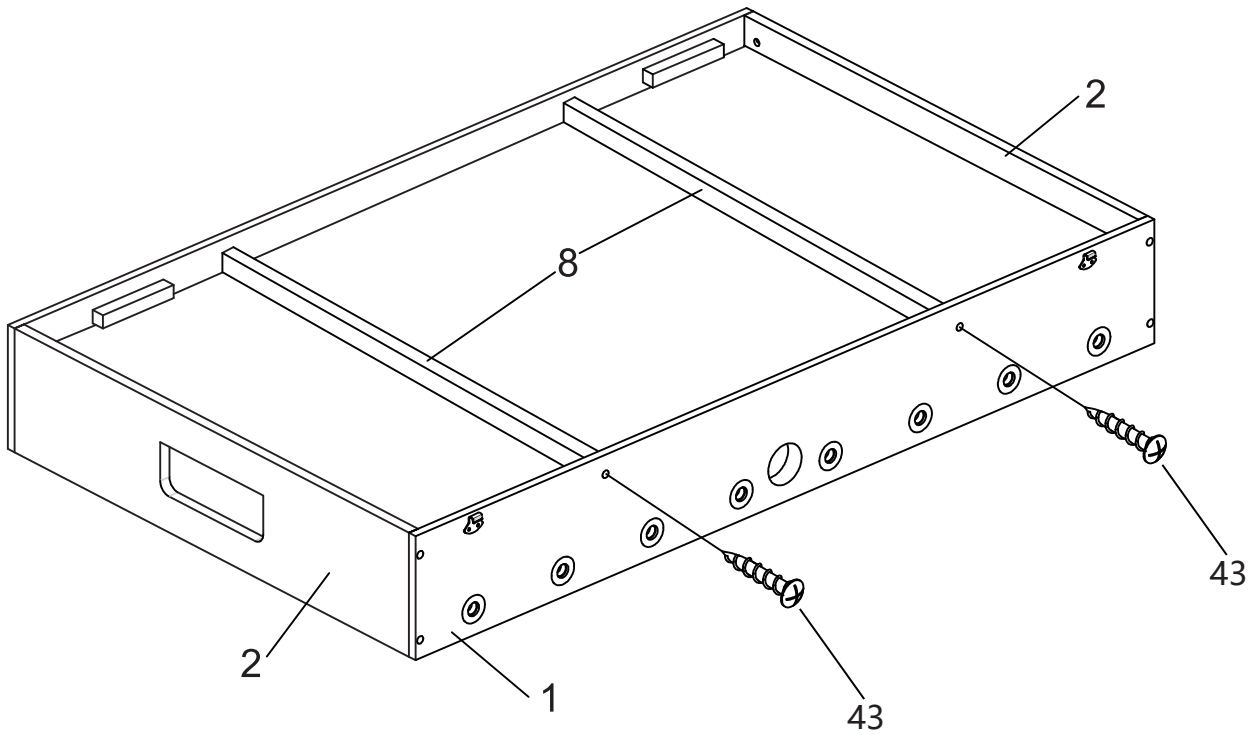
STEP 4



Assembly Instructions

WARNING: TWO ADULTS ARE NEEDED TO ASSEMBLE THE SOCCER TABLE

STEP 5

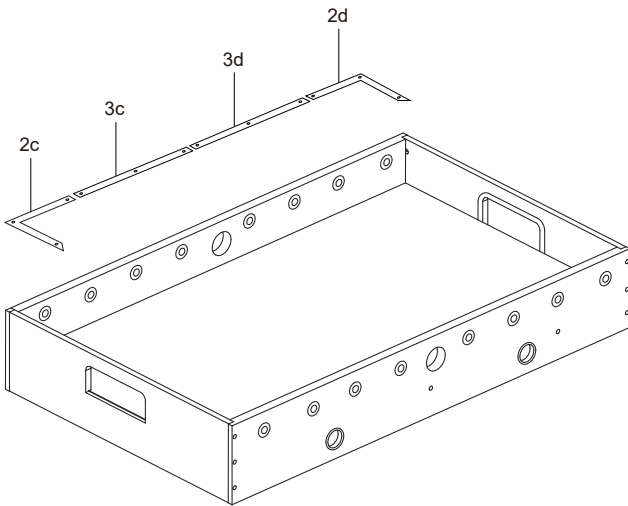


Assembly Instructions

WARNING: TWO ADULTS ARE NEEDED TO ASSEMBLE THE SOCCER TABLE

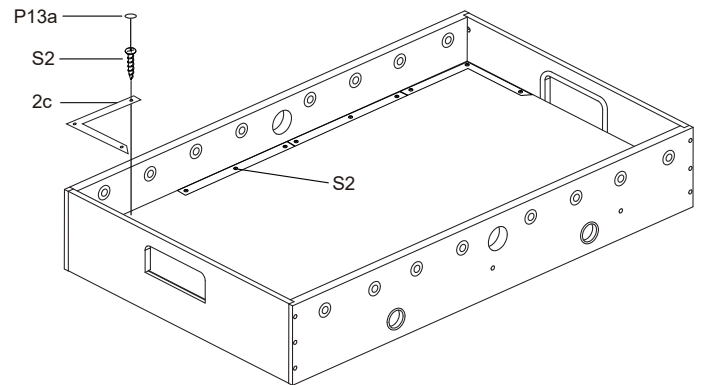
STEP 6A

Steps 6A to 6E are optional if you want.



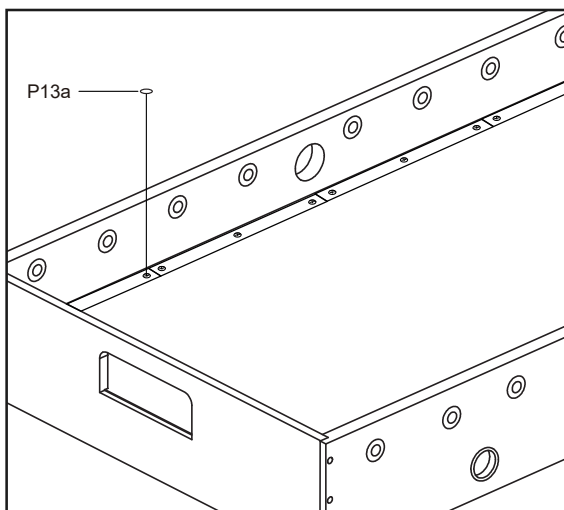
STEP 6B

Attach the plastic 2c, 2d, 3c, 3d to the playing field with S2.

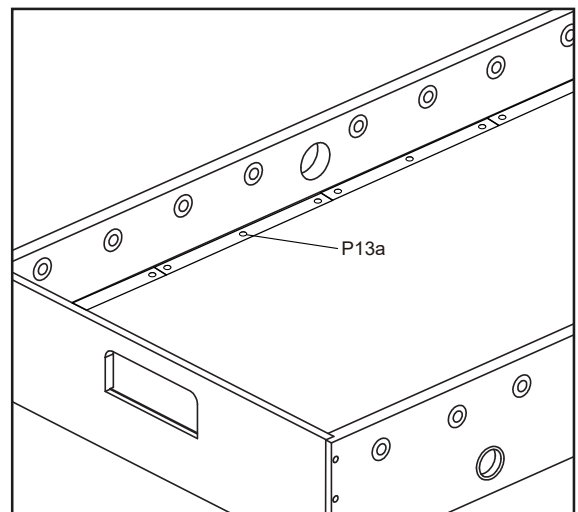


STEP 6C

Cover the Screw Hole Cap P13a to the screw hole.



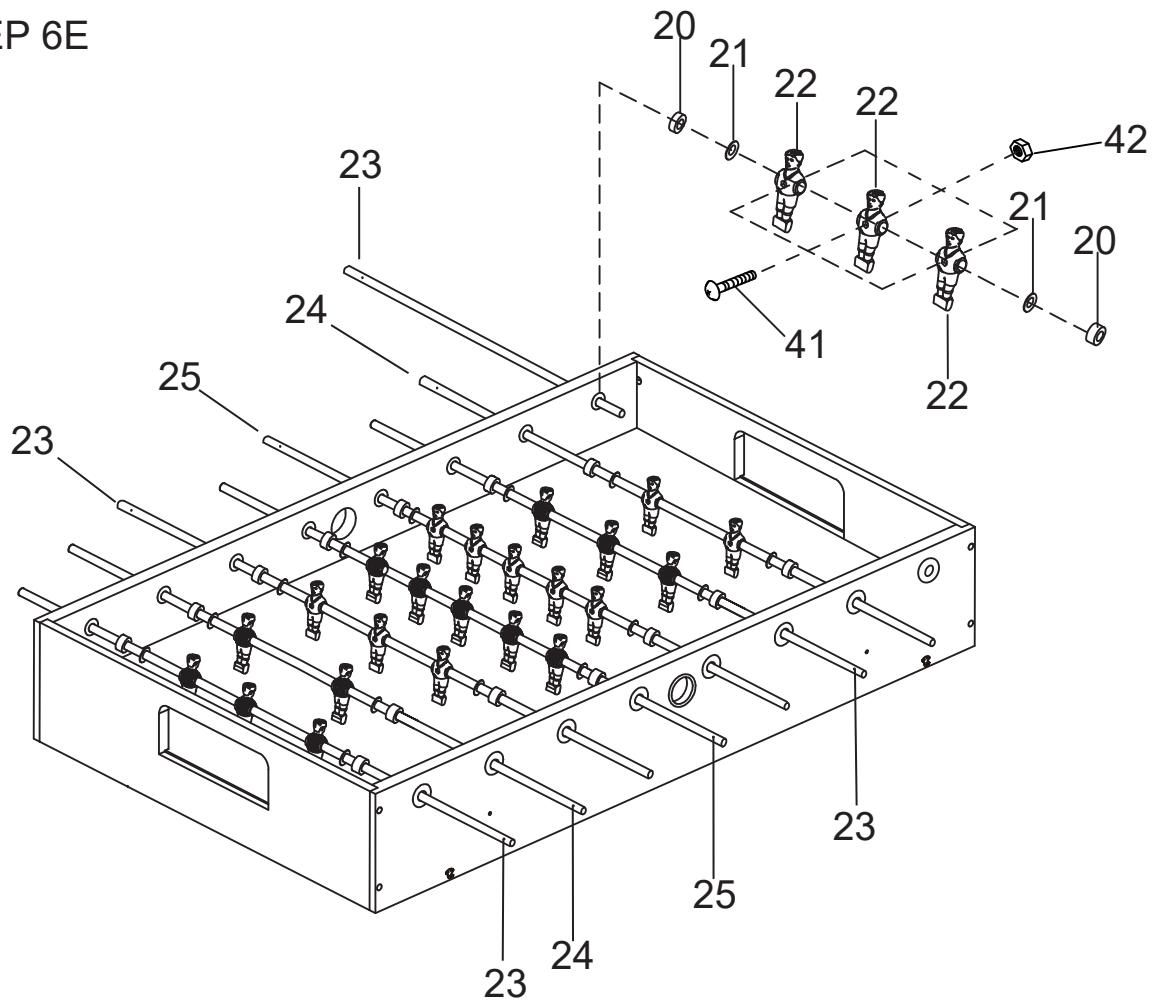
STEP 6D



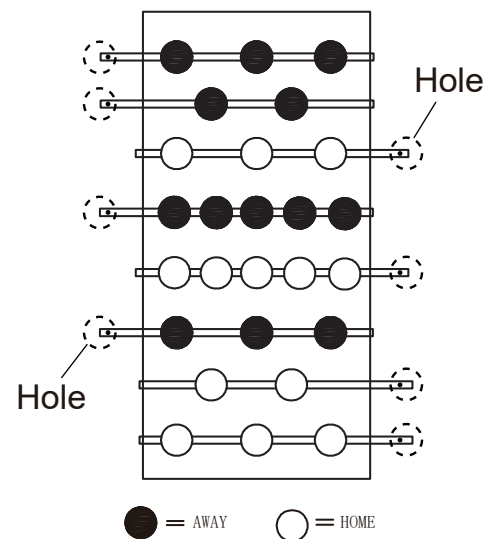
Assembly Instructions

WARNING: TWO ADULTS ARE NEEDED TO ASSEMBLE THE SOCCER TABLE

STEP 6E



Insert the rod end part way through one side panel, and then place the rest of the parts needed on each rod, in the order shown, before inserting through the other side panel.

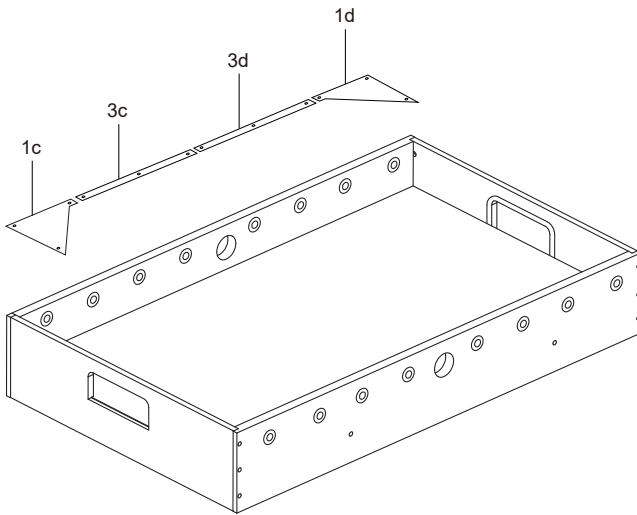


Assembly Instructions

WARNING: TWO ADULTS ARE NEEDED TO ASSEMBLE THE SOCCER TABLE

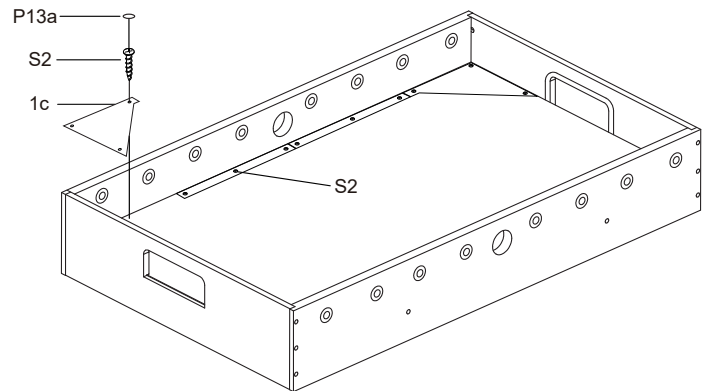
STEP 7A

Steps 7A to 7E are optional if you want.



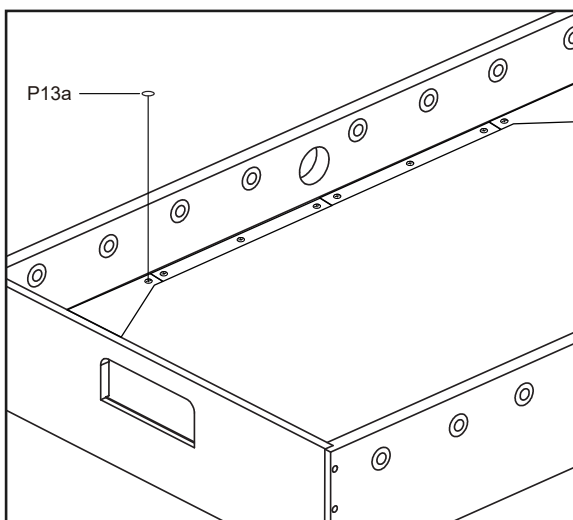
STEP 7B

Attach the plastic 1c, 1d, 3c, 3d to the playing field with S2.

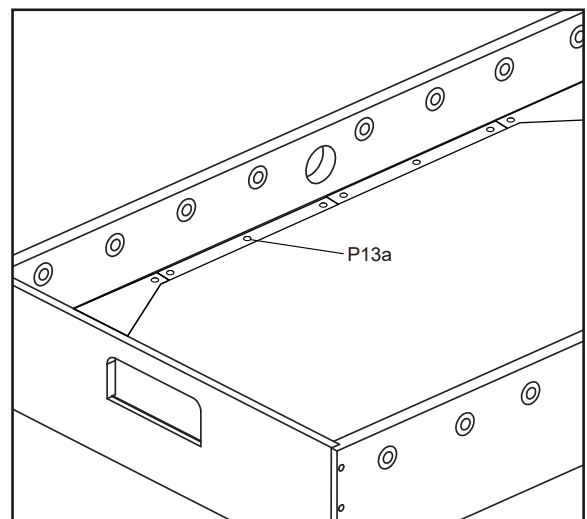


STEP 7C

Cover the Screw Hole Cap P13a to the screw hole.



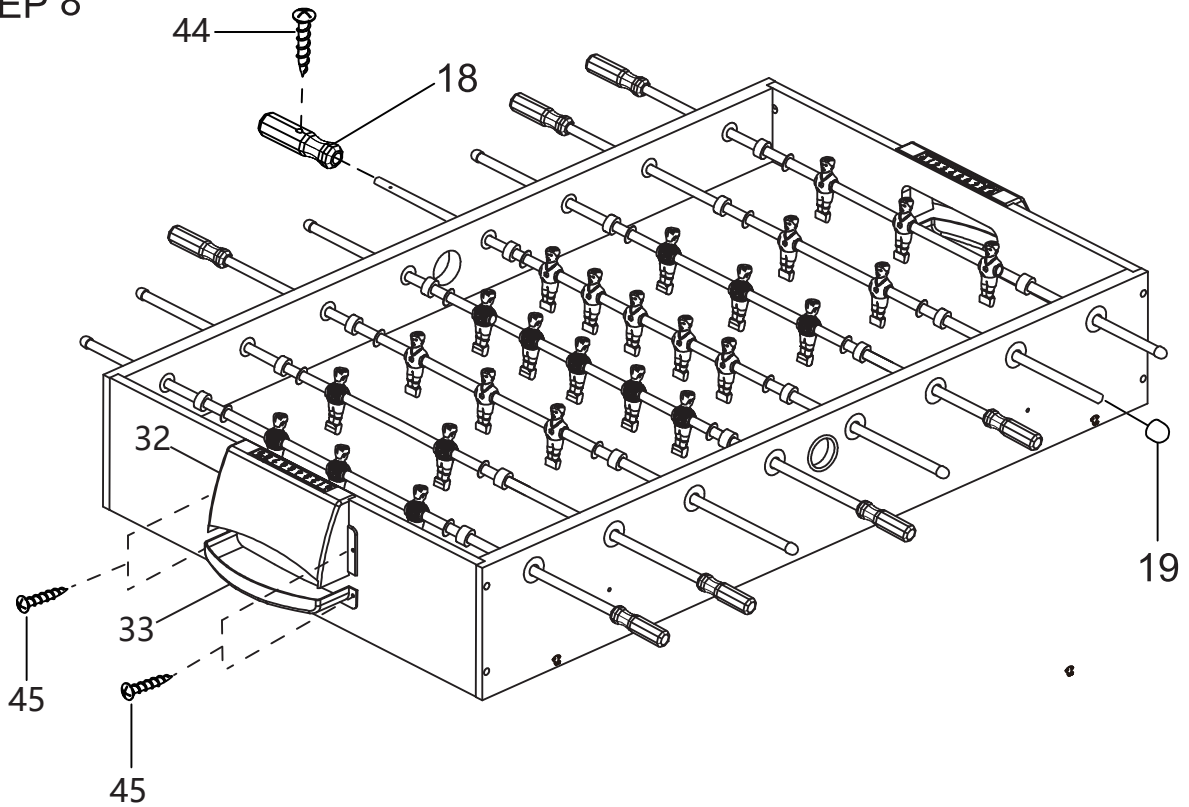
STEP 7D



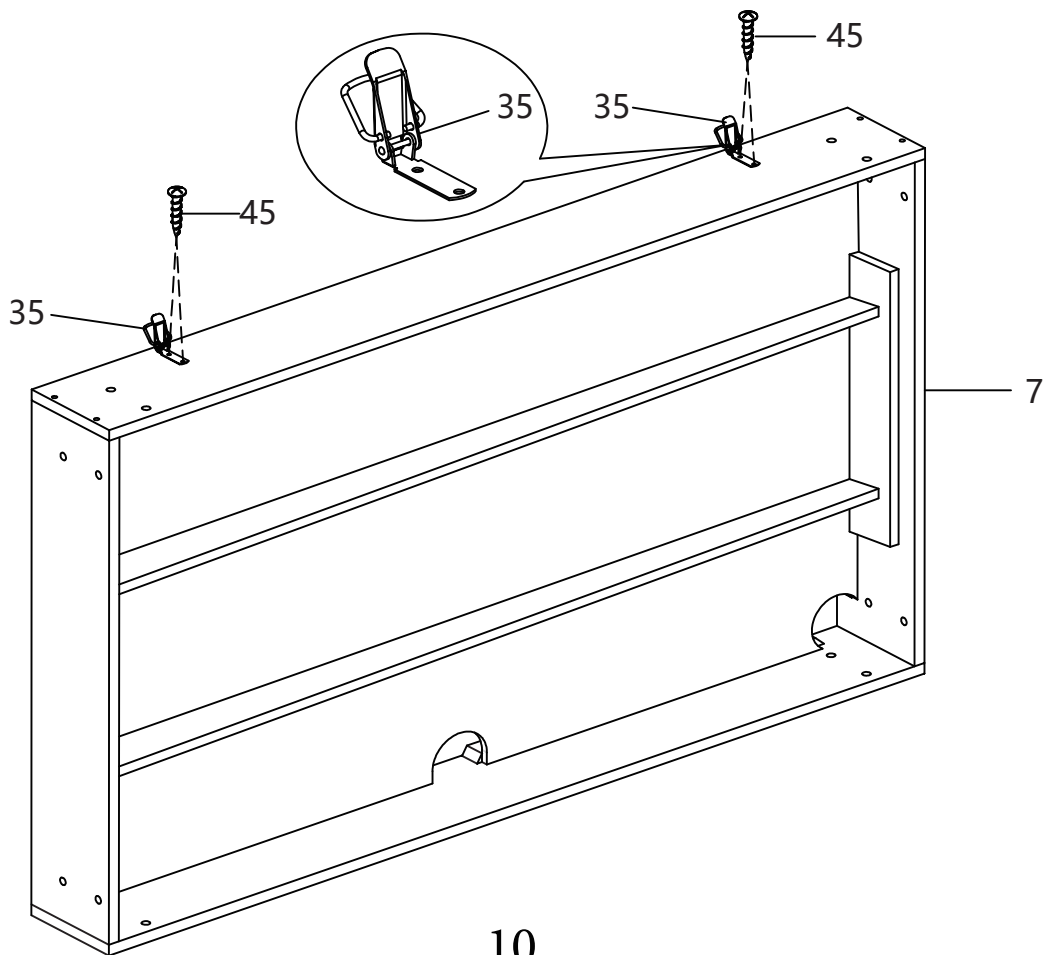
Assembly Instructions

WARNING: TWO ADULTS ARE NEEDED TO ASSEMBLE THE SOCCER TABLE

STEP 8



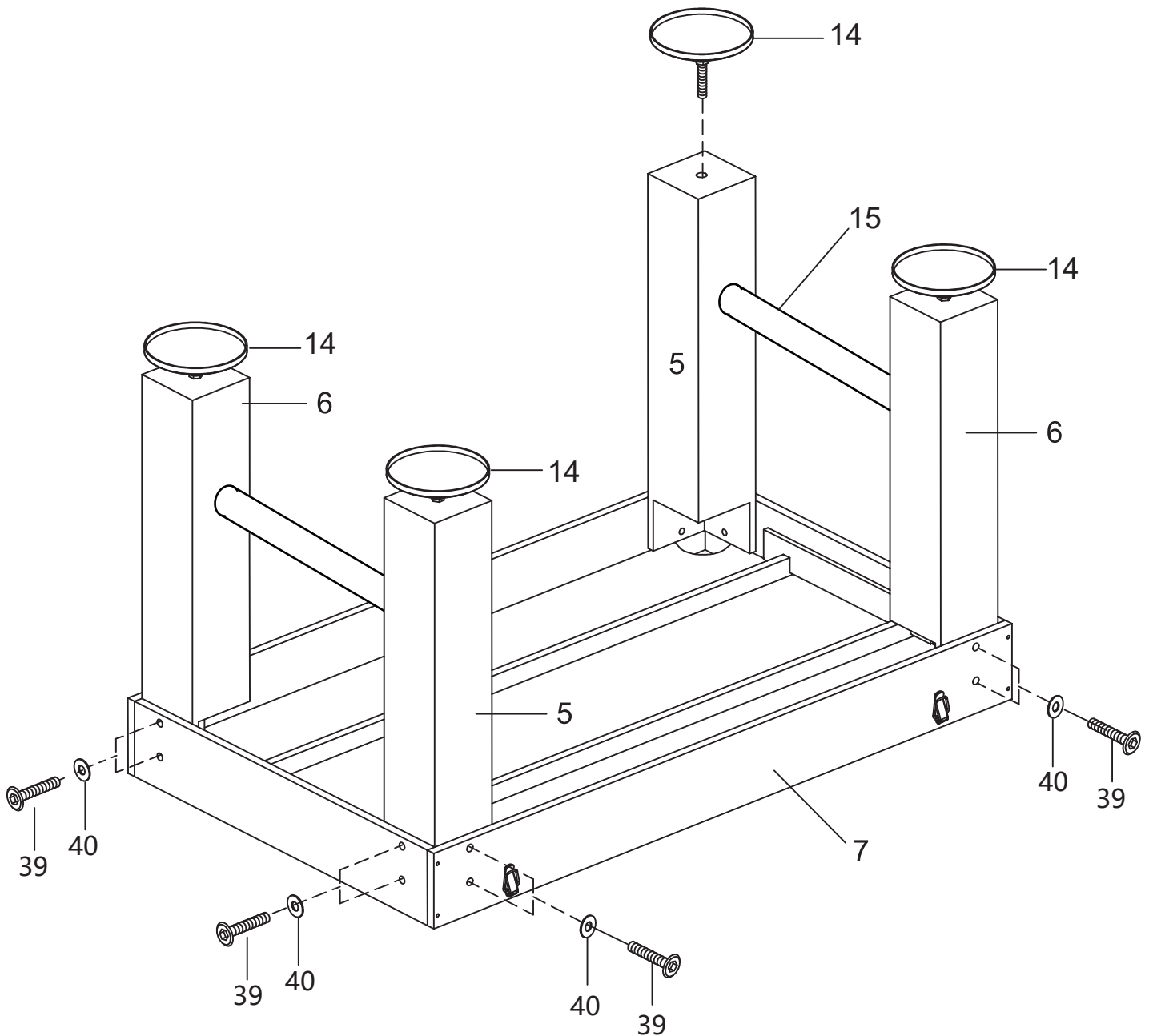
STEP 9



Assembly Instructions

WARNING: TWO ADULTS ARE NEEDED TO ASSEMBLE THE SOCCER TABLE

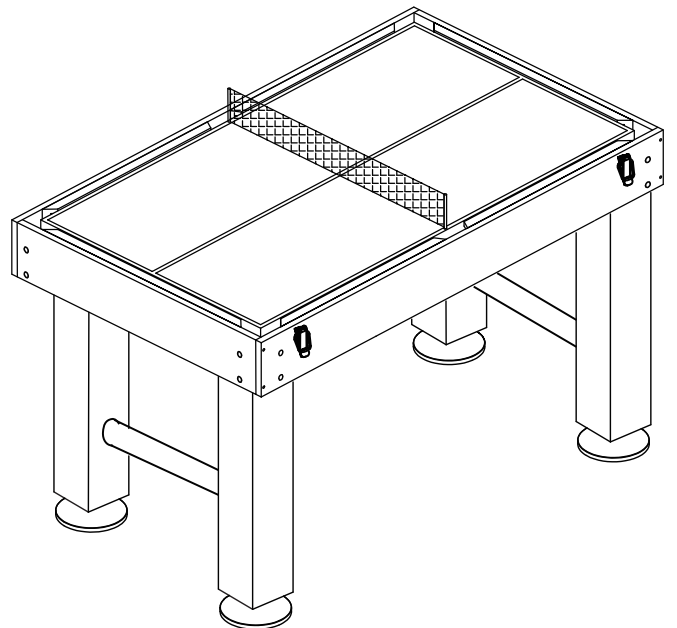
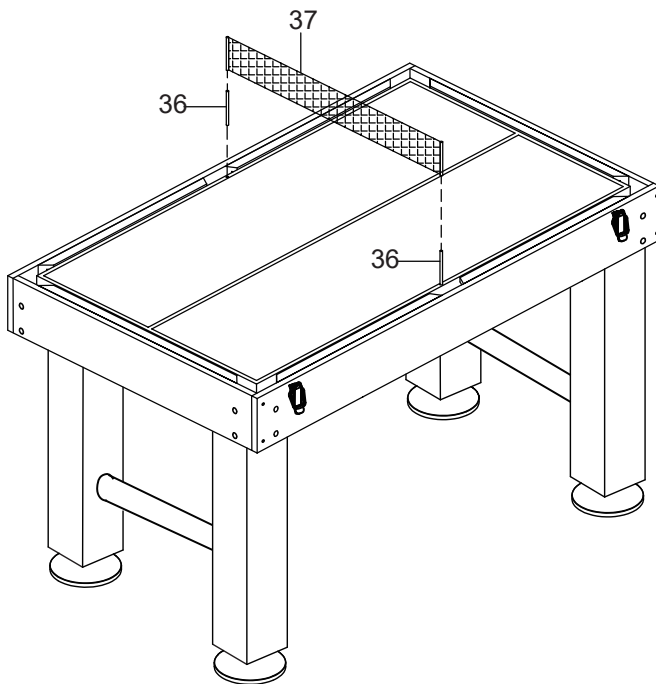
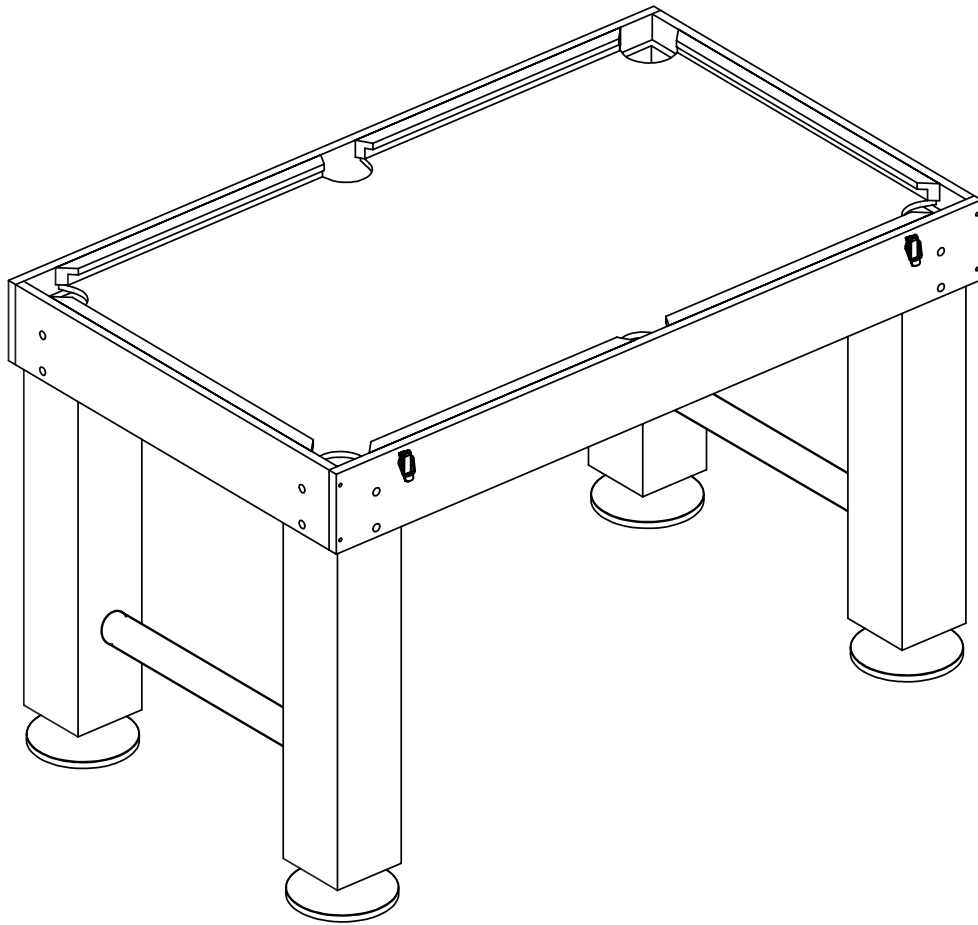
STEP 10



Assembly Instructions

WARNING: TWO ADULTS ARE NEEDED TO ASSEMBLE THE SOCCER TABLE

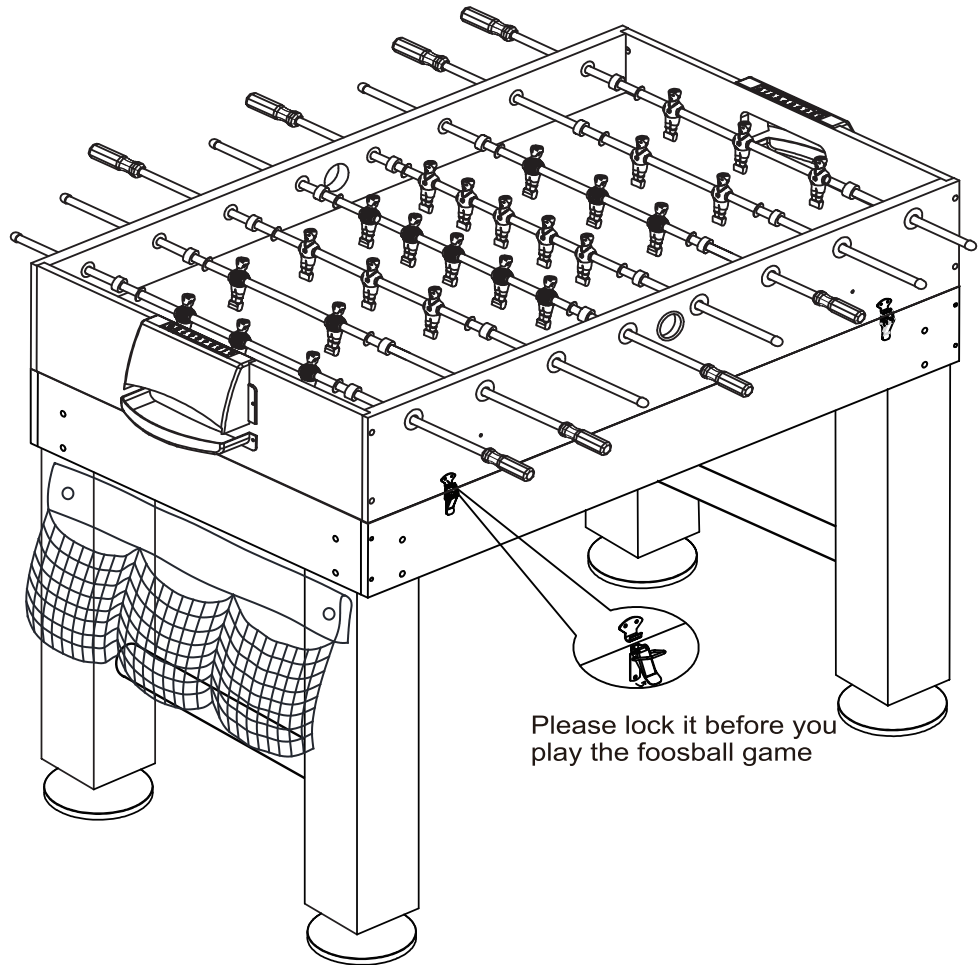
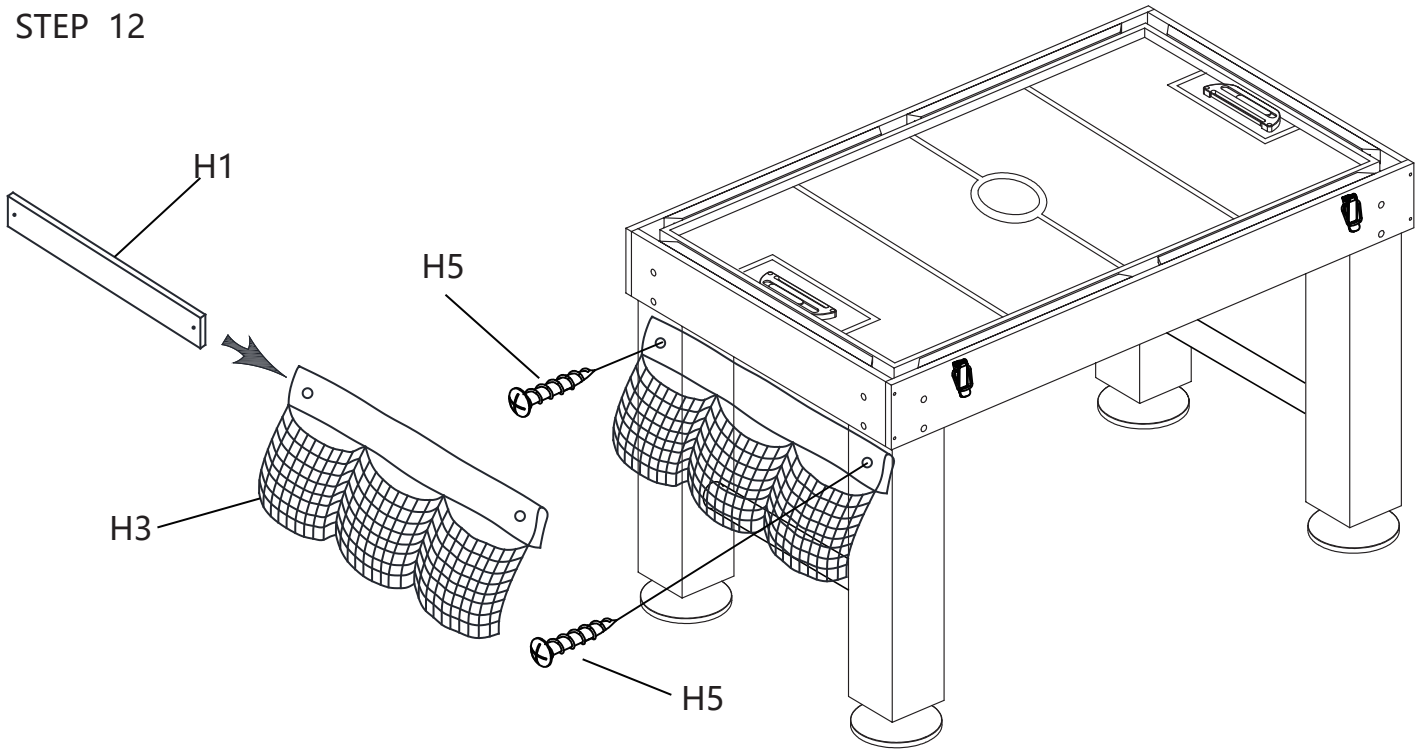
STEP 11



Assembly Instructions

WARNING: TWO ADULTS ARE NEEDED TO ASSEMBLE THE SOCCER TABLE

STEP 12



Assembly Instructions

WARNING: TWO ADULTS ARE NEEDED TO ASSEMBLE THE SOCCER TABLE

